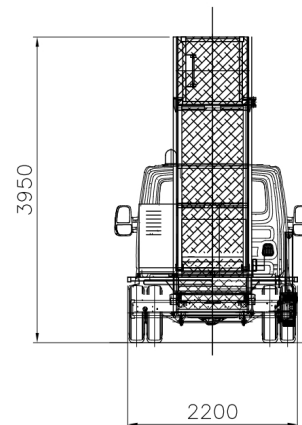
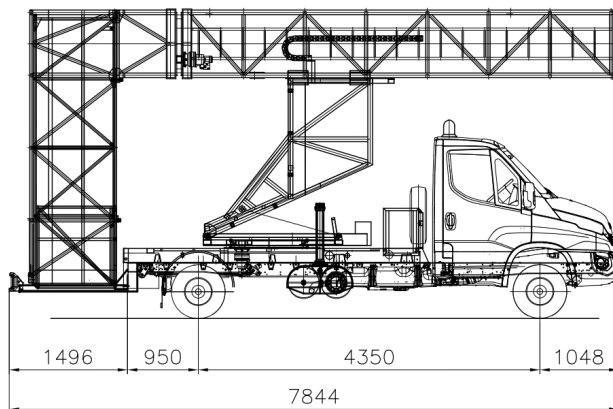


# ABC 70 / L

TAMAÑOS UNIDAD EN CONDICION DE TRANSPORTE



MONTADA SOBRE CAMION  
IVECO DAILY 65 C 18H Euro 6  
PESO TOTAL UNIDAD : 6.000 kg

SUBJECT TO SLIGHT MODIFICATIONS

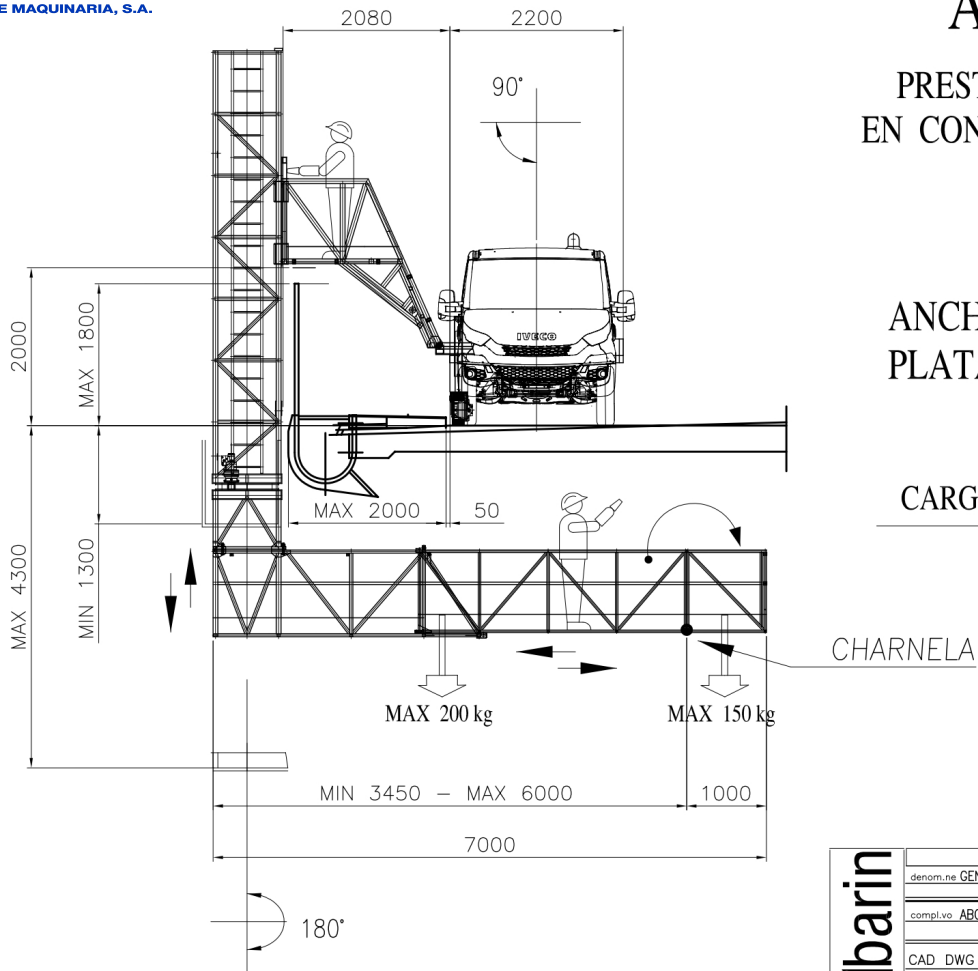
<b>barin</b>	denom.ne GENERAL SCHEME		matr.	dis.n.	lav.n.
	compl.vo ABC 70/L			14381.0	
			data		scale
			12/07/2021		1:50
CAD DWG	rif.dis.n.	dis.	A. Tessarolo		cont. Ing Zuccolo Tristano
<p>— cittadella pd — tel.049/5971300 fax 049/9400229 — <a href="http://www.barin.it">http://www.barin.it</a> E-mail:info@barin.it</p> <p>even partial is forbidden by law—use and spreading to third parties is forbidden—copyright</p>					

# ABC 70 / L

PRESTACIONES UNIDAD  
EN CONDICION DE TRABAJO

ANCHURA  
PLATAFORMA: 1000 mm

CARGA MAX. EN PLATAFORMA : 350 Kg



CHARNELA

SUBJECT TO SLIGHT MODIFICATIONS

<b>barin</b>	denom.ne GENERAL SCHEME		matr.	dis.n.	lav.n.
				14382.0	
	compl.vo ABC 70/L		data		scale
		12/07/2021		1:50	
CAD DWG	rif.dis.n.	dis.	A. Tessarollo		cont. Ing Zuccolo Tristano
— cittadella pd — tel.049/5971300 fax 049/9400229 — http://www.barin.it E-mail:info@barin.it even partial is forbidden by law—use and spreading to third parties is forbidden—copyright.					

FILE: