

Electric Series

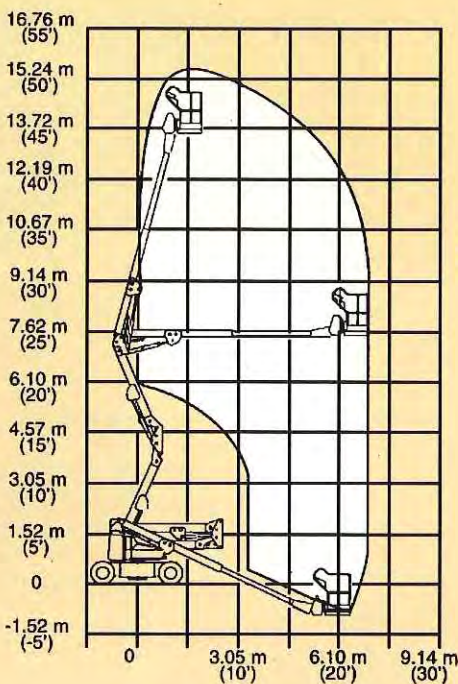
**ELECTRIC ARTICULATING
BOOMLIFTS**



**30 electric
35 electric
n35 electric
40 electric
n40 electric
45 electric**

JLG

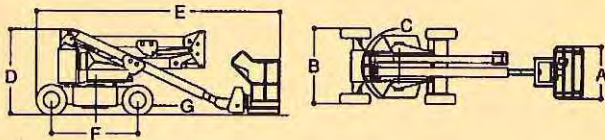
45 electric



REACH DIAGRAM

REACH SPECIFICATIONS

| | |
|-----------------------|-----------------------|
| Platform Height | 13.72 m (45 ft.) |
| Horizontal Outreach | 6.91 m (22 ft. 8 in.) |
| Up and Over Clearance | 7.49 m (24 ft. 7 in.) |
| Turntable Rotation | 360° (non continuous) |
| Platform Capacity | 227 kg (500 lbs.) |
| Platform Rotator | 110° Hydraulic |



DIMENSIONAL DATA

| | |
|----------------------------------|-----------------------------------|
| A. Platform Size | 0.66 m x 1.22 m (26 in. x 48 in.) |
| B. Overall Width | 1.75 m (5 ft. 9 in.) |
| C. Tailswing (working condition) | Zero |
| D. Stowed Height | 2.0 m (6 ft. 7 in.) |
| E. Stowed Length | 5.69 m (18 ft. 8 in.) |
| F. Wheelbase | 2.0 m (6 ft. 7 in.) |
| G. Ground Clearance | 0.15 cm (6 in.) |
| Gross Vehicle Weight* | 5,950 kg (13,105 lbs.) |

CHASSIS

| | |
|--------------------------|-----------------------|
| Drive Speed | 4.3 kph (2.6 mph) |
| Gradeability | 25% |
| Tyres | foam filled 215/85R16 |
| Axle Oscillation | 0.03 m (1 in.) |
| Turning Radius (outside) | 4.17 m (13 ft. 8 in.) |
| Turning Radius (inside) | 1.31 m (4 ft. 3 in.) |

POWER SYSTEM

| | |
|----------------------|--|
| Electrical System | 48V DC |
| Batteries | eight 6V 370 amp-hr |
| Drive Motors | two series wound fan cooled electric traction motors |
| Brakes | spring applied electrically released multiple discs |
| Hydraulic Motor/Pump | perm. magnet motor/single sect. gear pump |
| Hydraulic Reservoir | 15.1 L |
| Manual Lowering | lever actuated hand pump |

PERFORMANCE FEATURES



Long Lasting Deep Cycle Batteries

Deep cycle batteries provide consistent high performance throughout regular charge and discharge cycles. Batteries are mounted in removable boxes with quick disconnect plugs. An on-board automatic battery charger is provided as standard.



Oscillating Front Axle* Is Standard

Provides 2.5 cm (1 in.) of wheel travel up and down for optimum ground contact and increased traction for negotiating uneven surfaces or ramps.

*(except 30 electric)

Efficient Direct Electric Drive

Electric Drive produces outstanding performance combined with longer operation cycles between charging periods. Dual traction motors drive wheels directly through planetary reduction hubs for efficient use of battery power.



Fully Proportional Drive And Variable Boom Speeds

Proportional drive control, with "ramp" on/off, provides smooth acceleration and deceleration. A separate control allows the operator to adjust the speed of the lift, tele, and swing functions to the desired comfort level.



Standard Features Include:

Direct Electric Drive • Full Proportional Drive Control • Variable Speed Control For Lift, Tele and Swing • Eight 6V Deep Cycle Industrial Batteries • On-Board Battery Charger • Oscillating Axle¹ • 110° Powered Platform Rotator¹ • AC Wiring To Platform • Horn • Tilt Light & Alarm • Keyswitch At Ground Controls • Hour Meter • Battery Discharge Indicator • Boom Wiper Seal • Foam Filled Tyres • Manual Descent

Available Options

0.66 m x 1.52 m (26 in. x 60 in.) Size Platform² • Worklights • Acrylic Console Shield • Air Line To Platform³ • Non-Marking Solid Tyres • Wheel Covers • Extra Battery Boxes With Batteries And Cables • All Motion Alarm • Flashing Amber Beacon • Cylinder Bellows • Steel Hood Covers⁴

¹ Option not available on 30 electric

² Except 30 electric, n35 electric and n40 electric

³ Includes external hose carrier

⁴ 30 electric only

The JLG

"1 & 5" Warranty

JLG Industries, Inc. backs our products with our exclusive "1 & 5" Warranty.

We provide coverage on all products for one (1) full year, and cover all specified major structural components for five (5) full years.

This warranty represents our commitment to superior quality and manufacturing standards and underscores our pledge of being "The Provider of Choice Worldwide - for Access".

Due to continuous product improvements, we reserve the right to make specification and/or equipment changes without prior notification.

This machine meets or exceeds applicable OSHA Regulations in 29 CFR 1910.67, 1926.451 (f) 29 CFR 1926.556, and ANSI/SIA A92.5-1992, as originally manufactured for intended applications.

JLG Industries (Europe)

A Division of JLG Industries, Inc.

Kilmartin Place, Tannochside Park,

Uddingston, G71 5PH, Scotland

Tel: 01698 811005

Fax: 01698 811055

Internet: <http://www.jlg.com>

e-mail address: europa@jlg.com

